

**COMMERCIAL HEAVY DUTY**

**Product Specifications**

<b>Shape</b>	Round
<b>Seat Material</b>	Polypropylene
<b>Seat Form</b>	Open front
<b>Commercial Hinge</b>	Yes
<b>Bolt Material</b>	Stainless steel
<b>Hardware Material</b>	Stainless Steel
<b>Check Hinge</b>	Yes
<b>Cover</b>	Yes
<b>Custom Gasket</b>	Yes
<b>Color</b>	White

---

<b>Warranty</b>	1 year limited warranty
-----------------	-------------------------

---

<b>Available Colors</b>	White,
-------------------------	--------

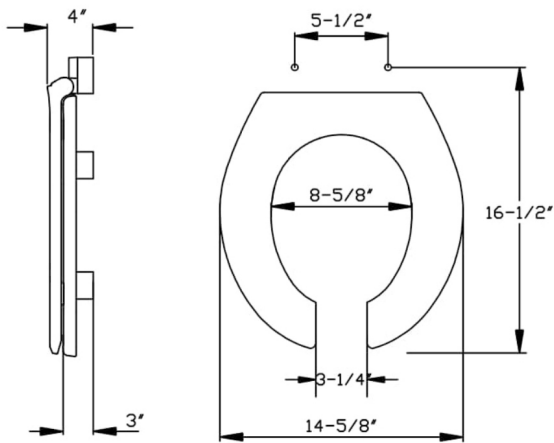
---

**Features**
**ADA Compliant Raised Seat**

ADA compliant 3" medical assistance raised toilet seat.

**Commercial Hinge**

Includes commercial grade hinges. One piece solid metal hinge pin and bolt over molded with plastic.



Dimensions shown are nominal and may vary within a range of tolerance. Product specifications are subject to change without notice.